

Affordable Quality

## Prospect

This new range of shower doors, enclosures and bath screens from Lakes Showering Spaces offers the ultimate in value.



**LAKES**  
SHOWERING SPACES



# Affordable Quality

Prospect is a range of showering spaces and bath screens offering both great quality and great prices.

Created by Lakes Showering Spaces, a leading premium manufacturer, the Prospect range is a perfect value solution that combines elegant designs with quality materials, ease of installation, excellent availability and Lakes' fantastic after-sales service.

Please contact your local merchant or showroom for prices.

## Key features and benefits

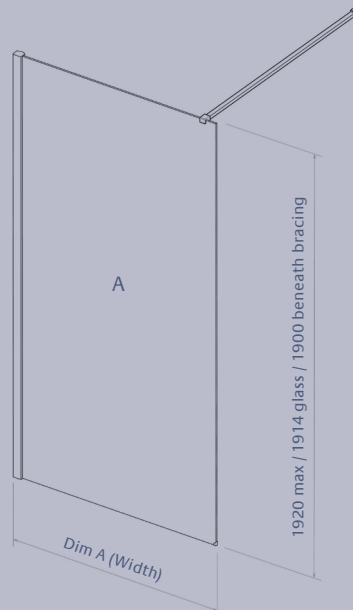
- Easy-clean glass as standard
- 10-year guarantee
- Fully reversible
- Magnetic door closing mechanism
- Enclosure height: 1830mm, shower screen 1920mm, bath screen height 1400-1500 mm
- 40mm total adjustment on doors, 15mm on bath screens and shower screens
- Available in Silver Anodise per EN 12373-1
- Rails: aluminium alloy 6063
- 6mm & 8mm toughened glass to EN 12150-1

## 8mm Walk-In & Optional Hinged Deflector

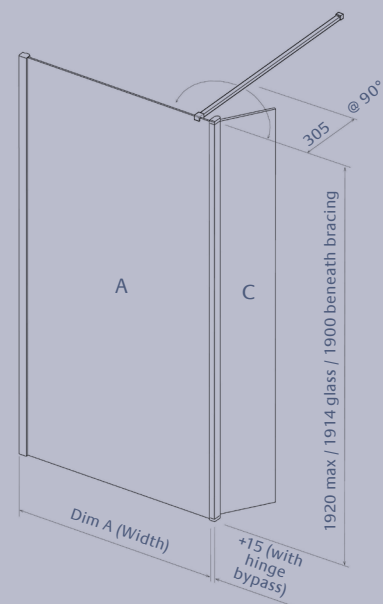


Glass: 8mm Toughened to EN12150-1 AllClear coated all over.  
 Rails: Aluminium Alloy 6063.  
 Finishes Available: Silver Anodise per EN 12373-1.

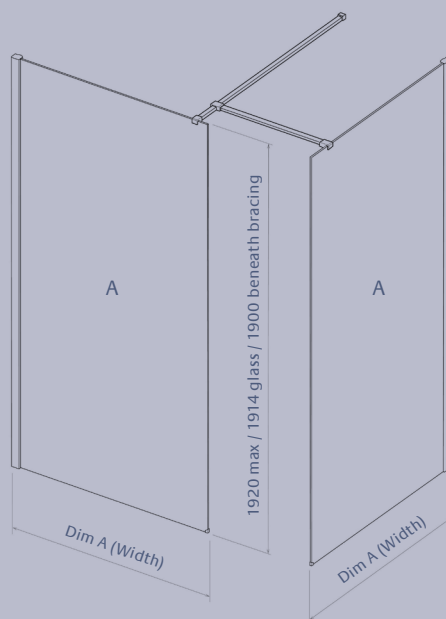
Note: Units are fully reversible. May be fitted to LH (as shown) or RH wall. Units are suitable for tray or wet floor installation. Flexible range of build options is provided by A & C elements - see diagrams / ordering guides.



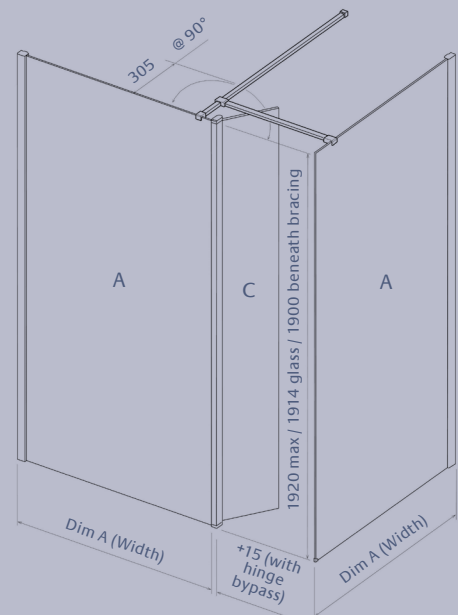
STANDALONE FRONT PANEL:  
order A only



FRONT PANEL & HINGE BYPASS:  
A + C



FRONT PANEL & SIDE PANEL:  
order A + A + 10CSS-62.



FRONT PANEL, HINGE BYPASS & SIDE PANEL:  
order A + C + A 10CSS-62.

### FRONT / SIDE PANELS

Part Number	Dim A
8CSSA-070S	660-675
8CSSA-075S	710-725
8CSSA-080S	760-775
8CSSA-090S	860-875
8CSSA-100S	960-975
8CSSA-120S	1160-1175

### HINGE BYPASS PANEL

Part Number	Dim A
8CSSCS	305

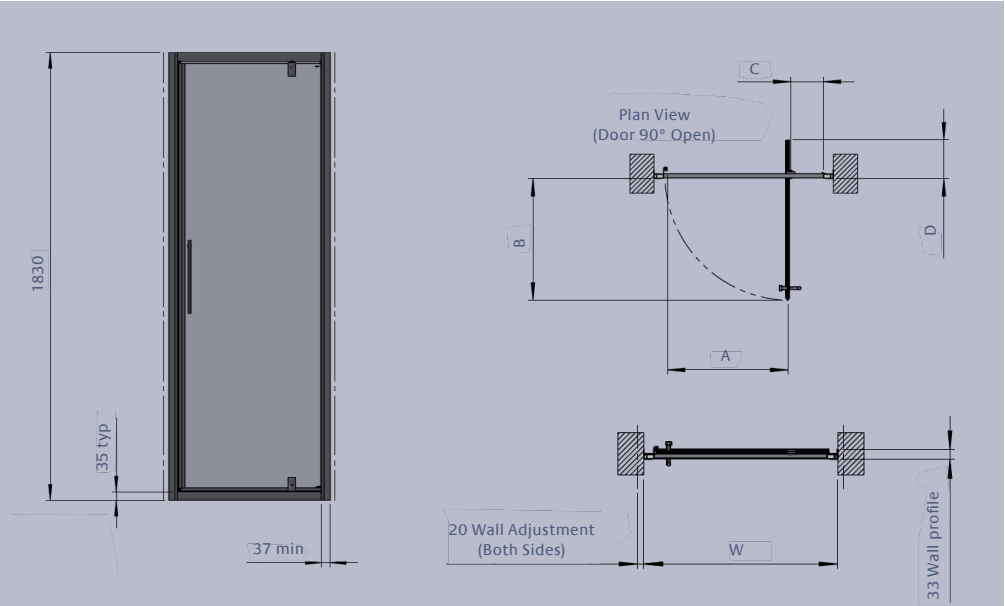
Note: When used, hinge bypass C has the effect of adding 15mm to panel A (width of hinge on glass edge).

Side panel units require additional 90° bar joining kit 10CSS-62.

## Semi-framed Pivot Door



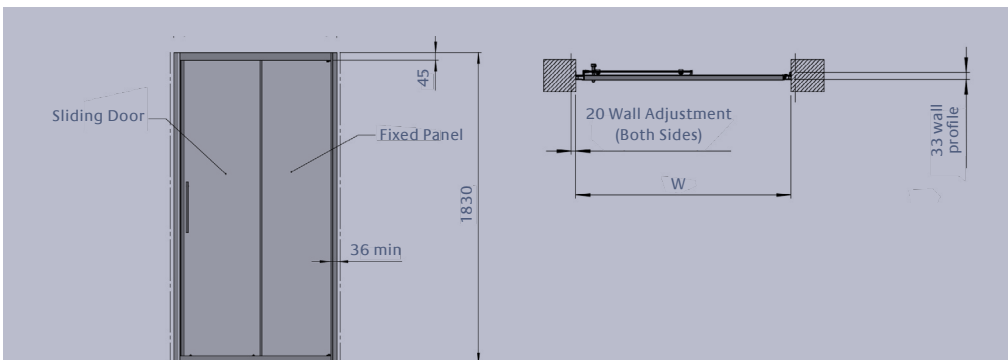
Glass: 6mm Toughened to EN12150-1.  
 Rails: Aluminium Alloy 6063. Finishes Available: Silver Anodize per EN 12373-1.



Standard Size	Product Code	Width (W) Min / Max	'A' Door Opening	'B' Door Protrusion	'C' Pivot Position	'D' Internal Protrusion
700	6CP070	660 / 700	440	447	120	143
750	6CP075	710 / 750	490	497	120	143
800	6CP080	760 / 800	520	527	140	163
900	6CP090	860 / 900	590	597	170	193
1000	6CP100	960 / 1000	640	647	220	243

All measurements are in mm

## Semi-framed Sliding Door



Standard Size	Product Code	Width (W) Min / Max	Door Opening
1000	6CS100	960 / 1000	390
1100	6CS110	1060 / 1100	440
1200	6CS120	1160 / 1200	490
1400	6CS140	1360 / 1400	590
1500	6CS150	1460 / 1500	640
1600	6CS160	1560 / 1600	690
1700	6CS170	1660 / 1700	740

All measurements are in mm

Semi framed sliding door is reversible, door may be positioned to LH (as shown) or RH of enclosure. Frame is fully reversible (ie may be rotated to suit either hand), door requires assembling to appropriate 'hand'.

Note: Unit sizes 100 to 120 are supplied pre assembled, sizes 140 to 170 are kitted.

For ease of cleaning, bottom rollers are 'quick release'.

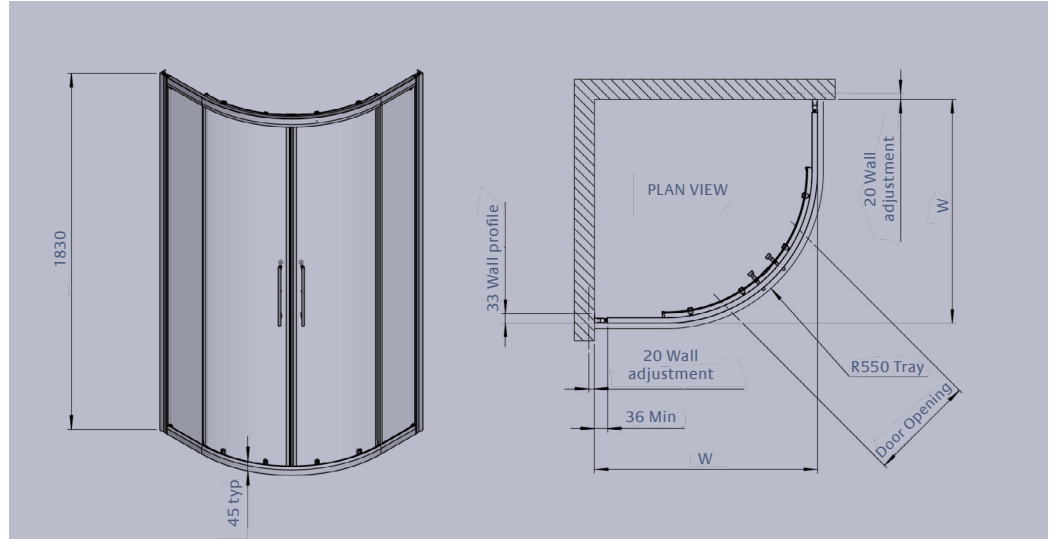


Glass: 6mm Toughened to EN12150-1.  
 Rails: Aluminium Alloy 6063.  
 Finishes Available: Silver Anodize per EN 12373-1.

## Semi-framed Quadrant



Glass: 6mm Toughened to EN12150-1.  
 Rails: Aluminium Alloy 6063. Finishes  
 Available: Silver Anodize per EN  
 12373-1.



Standard Size	Product Code	Width (W) Min / Max	Door Opening
800	6CR080	770 / 790	370
900	6CR090	870 / 890	530
900 x 800	6CR98	870/890 & 770/790	450
1000 x 800	6CR108	970/990 & 770/790	450
1200 x 800	6CR128	1170/1190 & 770/790	450
1200 x 900	6CR129	1170/1190 & 870/890	530

All measurements are in mm

Fully reversible semi framed quadrant (offset types may be constructed LH or RH).

Units are supplied in kit form.

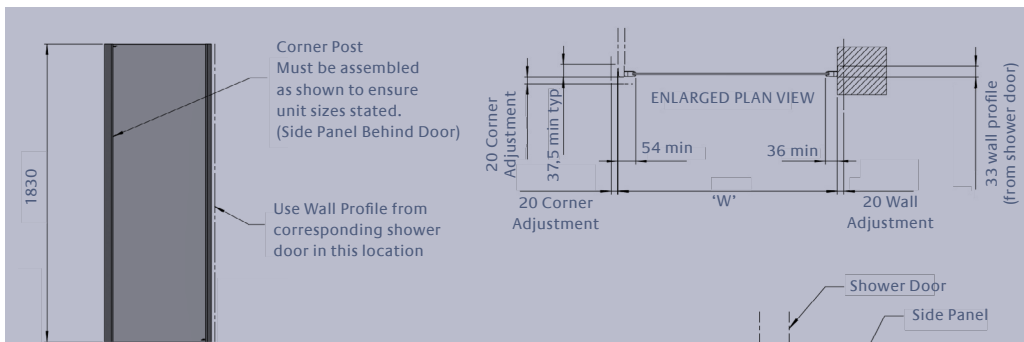
For ease of cleaning, bottom rollers are 'quick release'.

## Offset Quadrant



Technical drawing (right) shows standard Quadrant. Offset Quadrants can be constructed as either LH or RH.

## Semi-framed Side Panel



Corner Post  
 Must be assembled  
 as shown to ensure  
 unit sizes stated.  
 (Side Panel Behind Door)

Use Wall Profile from  
 corresponding shower  
 door in this location

Standard Size	Product Code	Width (W) Min / Max	'X' Side Panel Sub Assy
700	6CSP070	660 / 700	640
750	6CSP075	710 / 750	690
800	6CSP080	760 / 800	740
900	6CSP090	860 / 900	840
1000	6CSP100	960 / 1000	940

All measurements are in mm

Semi framed side panel is reversible, may be position to RH (as shown) or LH of door.

Note: Units are supplied pre assembled.



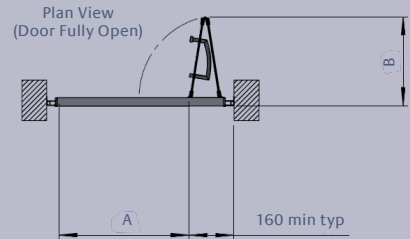
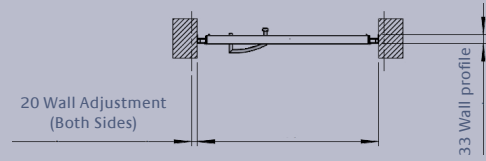
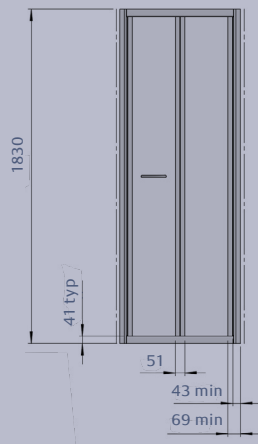
Glass: 6mm Toughened to EN12150-1.  
 Rails: Aluminium Alloy 6063.  
 Finishes Available: Silver Anodize per  
 EN 12373-1.

The Side Panel can be used with Bi-fold, Pivot, Quadrant & Slider products. Shown here with the Bi-fold door, it enables installation in corner settings.

## Semi-framed Bi-fold Door



Glass: 6mm Toughened to EN12150-1.  
 Rails: Aluminium Alloy 6063.  
 Finishes Available: Silver Anodize per EN 12373-1.

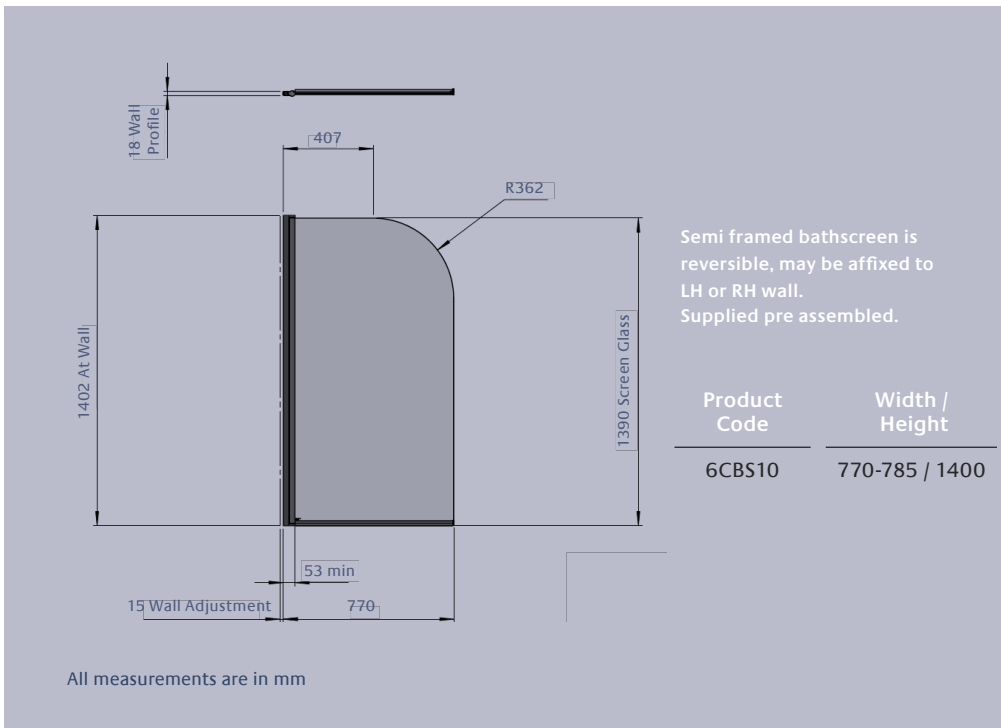


Standard Size	Product Code	Width (W) Min / Max	'A' Door Opening	'B' Door Protrusion
750	6CB075	710 / 750	505	339
800	6CB080	760 / 800	555	364
900	6CB090	860 / 900	605	415
1000	6CB100	960 / 1000	655	465

All measurements are in mm

Semi framed bifold door is reversible, hinge may be positioned to RH or LH of enclosure.  
 Note: Units are supplied pre assembled.

## Curved Bathscreen

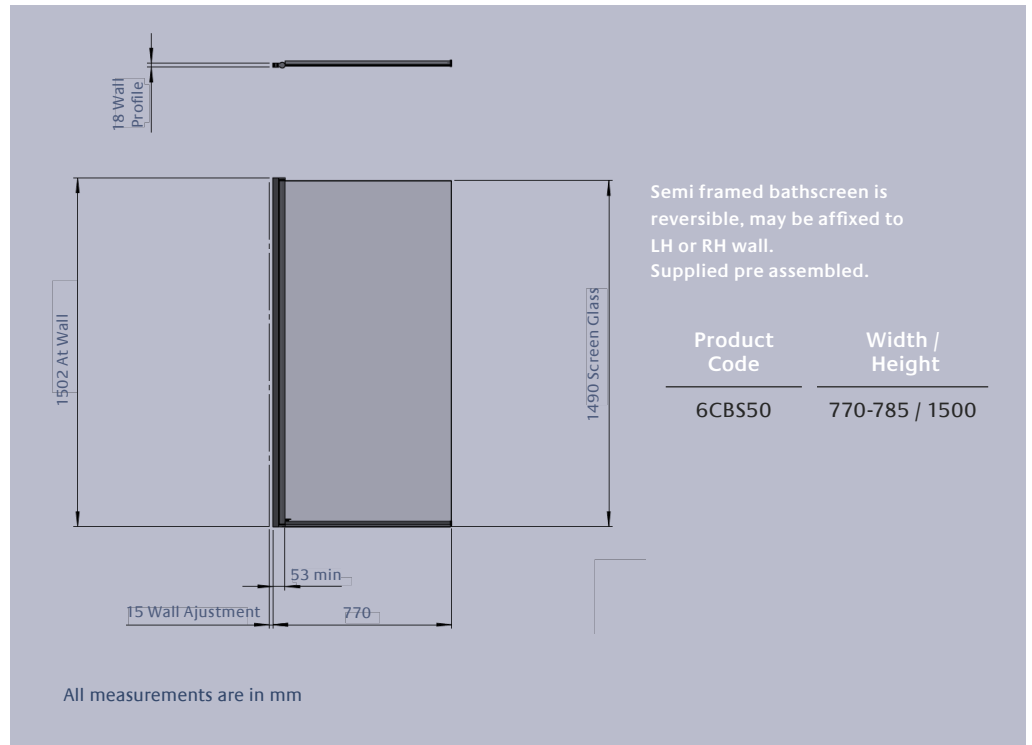


Glass: 6mm Toughened to EN12150-1.  
 All exposed edges bevelled.  
 Rails: Aluminium Alloy 6063.  
 Finishes Available: Silver Anodize per EN 12373-1.

# Square Bathscreen



Glass: 6mm Toughened to EN12150-1.  
All exposed edges bevelled.  
Rails: Aluminium Alloy 6063.  
Finishes Available: Silver Anodize per EN 12373-1.



## Notes